

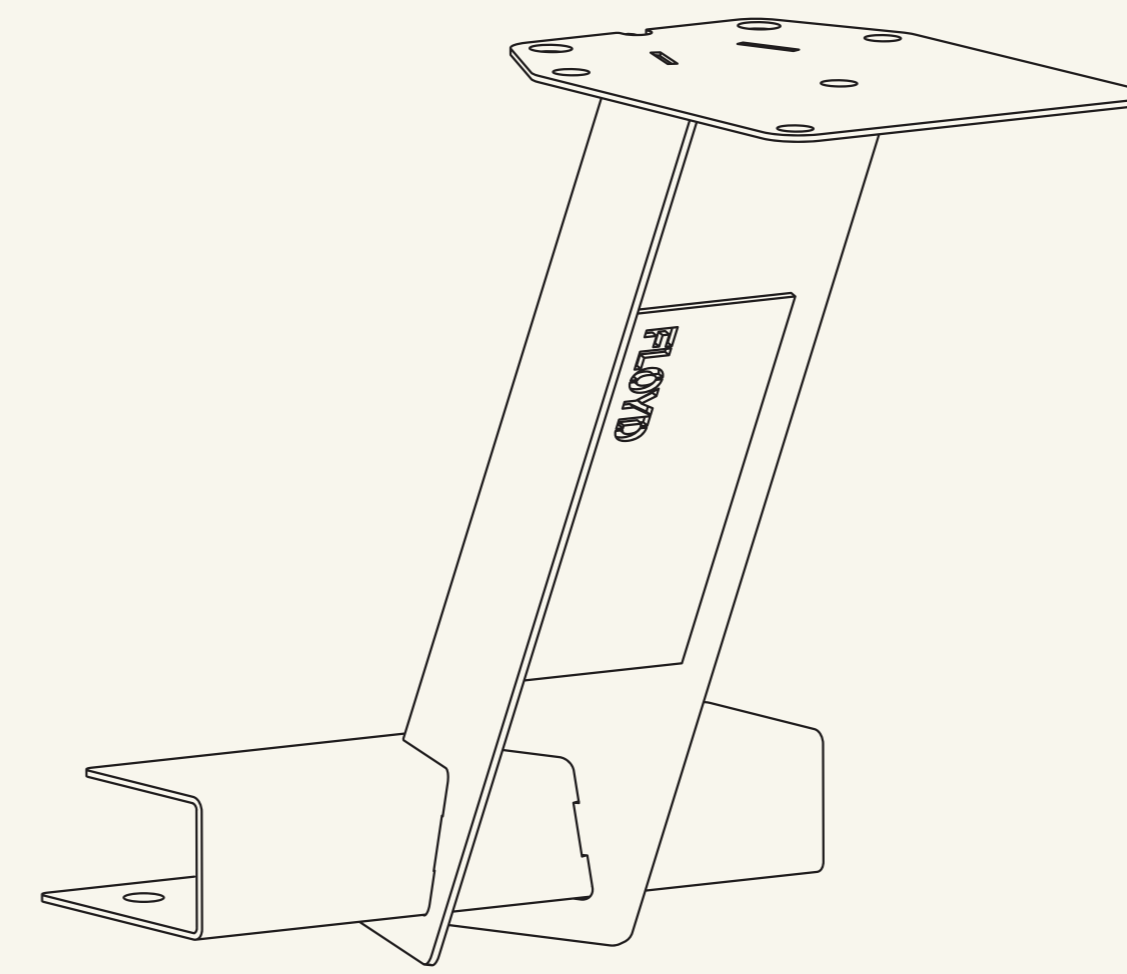
FLOYD

HOW TO ASSEMBLE:

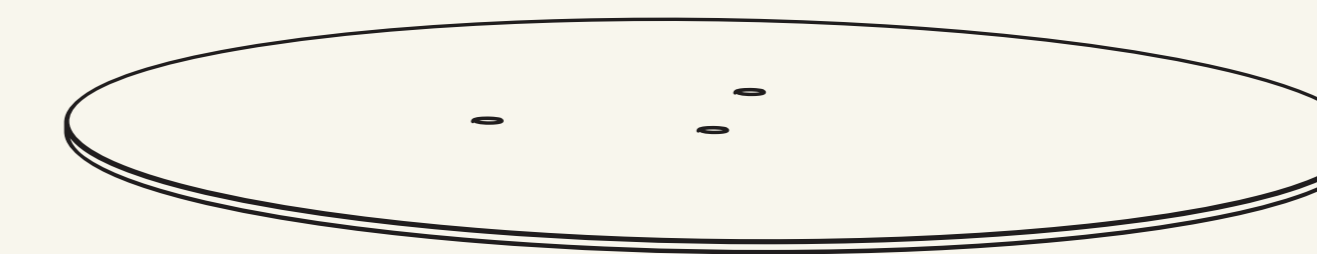
The Pop Bedside Table

COMPONENTS

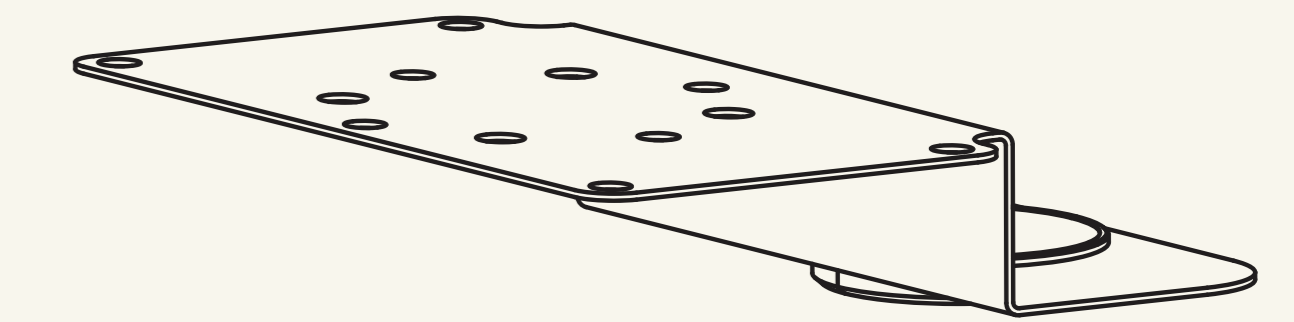
1x STEM



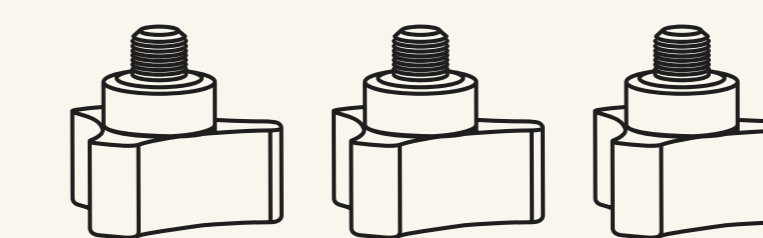
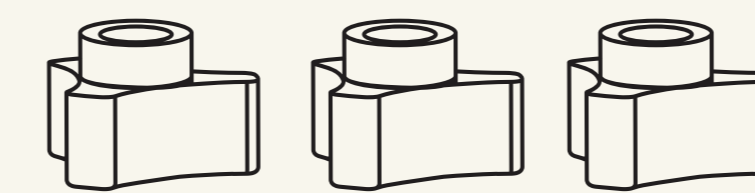
1x TOP



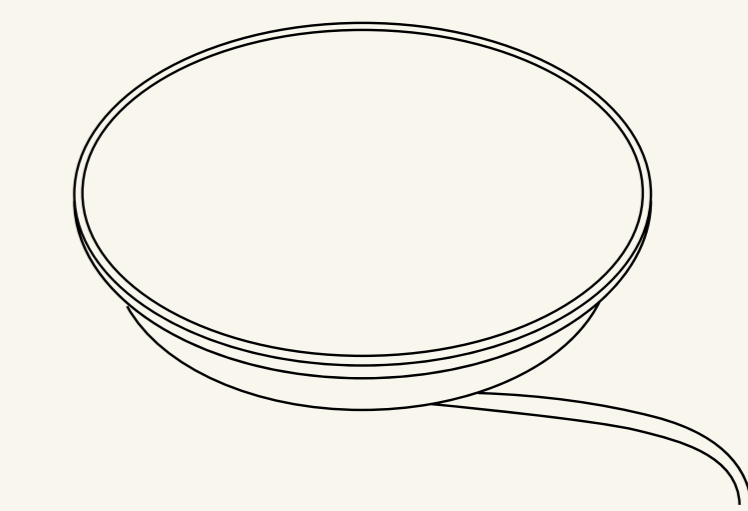
1x UNDERMOUNT SHELF * *



3x THUMB NUT



1x WIRELESS CHARGER * *



* INCLUDED WITH DISCRETE WIRELESS CHARGING ADD-ON

Step: 1

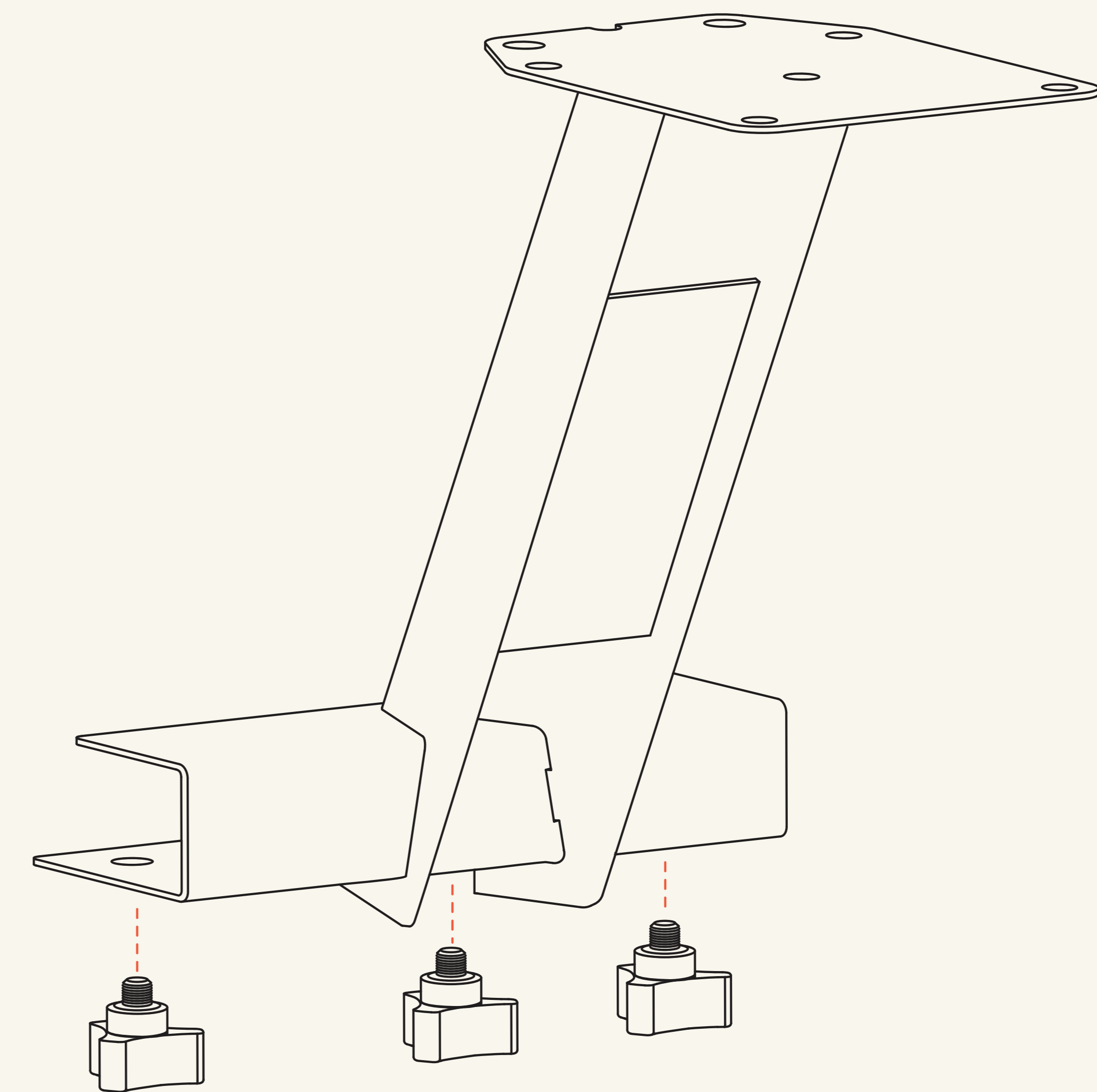
Attaching your
Pop Bedside Table.

1A

Preparing your Pop Bedside Table.

First, start by inserting the 3 provided thumb screws into the holes at the bottom of the stem—making sure to tighten them loosely.

You'll use these screws to secure the Pop Table to your Bed Frame in the next step.

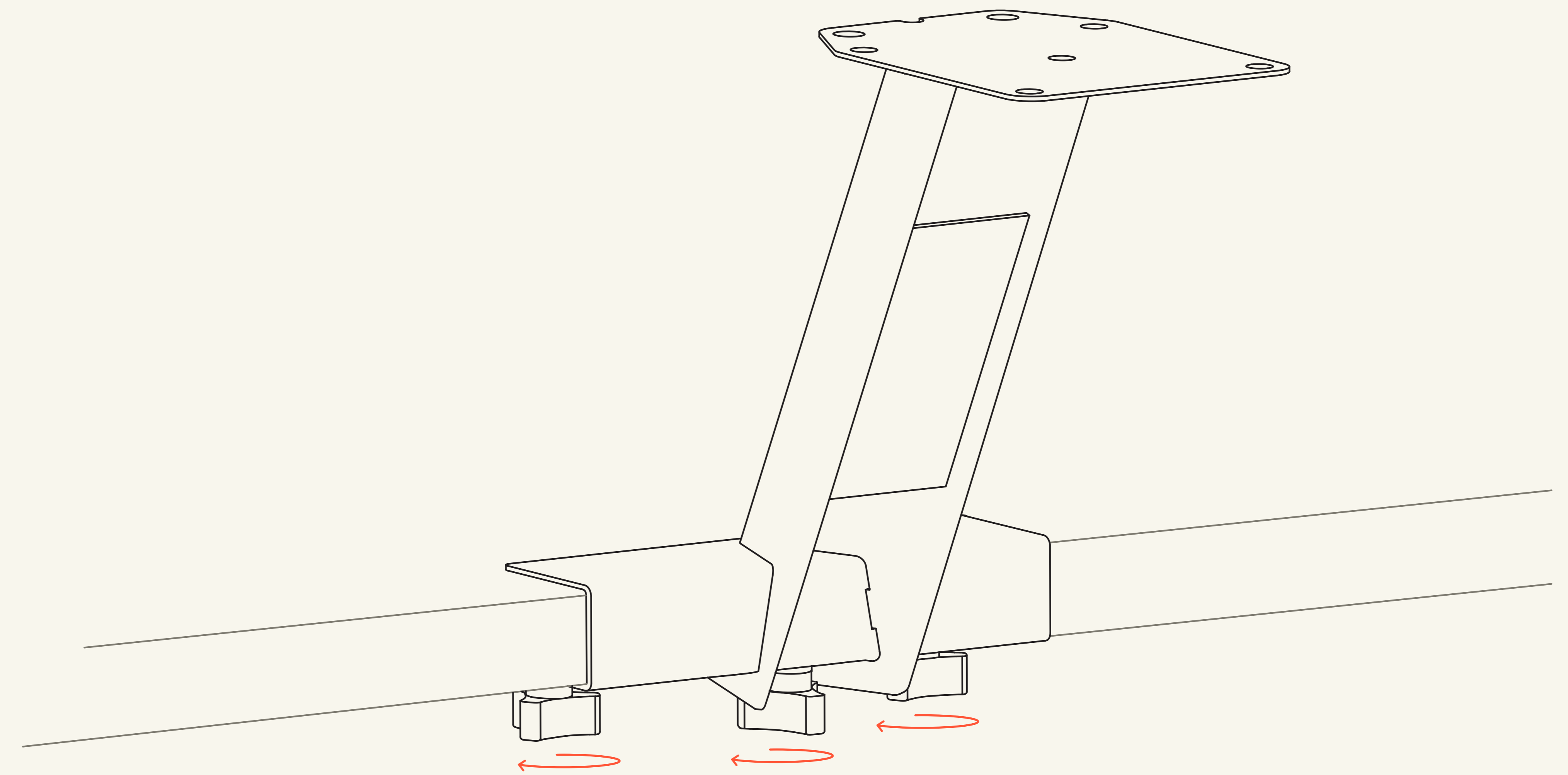


1B

Attaching your Pop Bedside Table.

Slide the stem onto the side of your choosing until
its firmly against the edge of the bed frame.

Then, tighten the 3 thumb screws to secure the
stem to the bed frame.



Step: 2

Adding the table top.

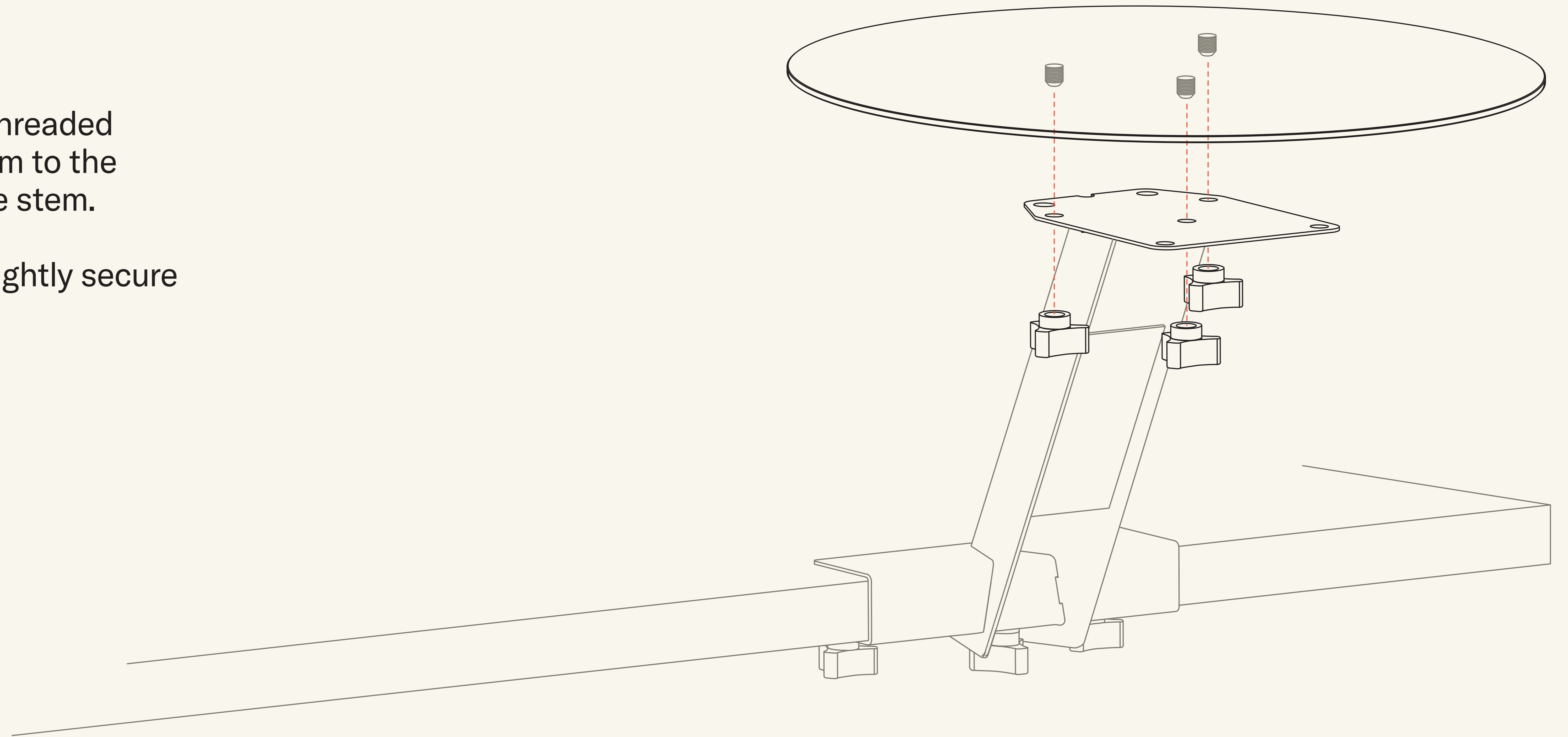
ⓘ **NOTE:** If you are installing undermount phone charging, move ahead to Step 3.

2A

Adding your table top surface.

The underside of the surface has 3 threaded rods, locate these rods and align them to the corresponding holes at the top of the stem.

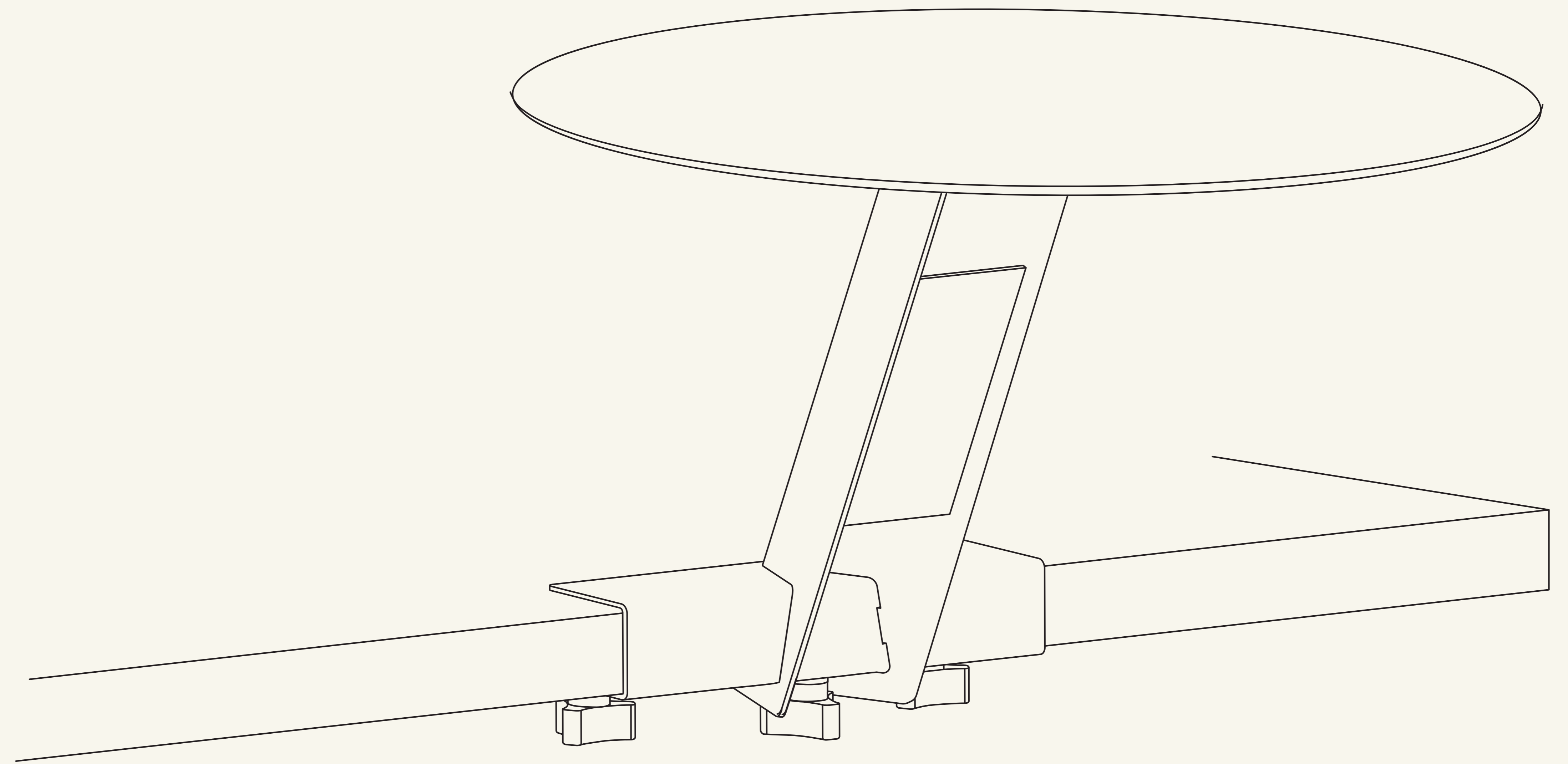
Use the included thumb nuts (3) to tightly secure the surface to the stem.



FIN

You're all done!

Enjoy your new Pop Bedside Table.



Step: 3

Adding the table top
and undermount charger.

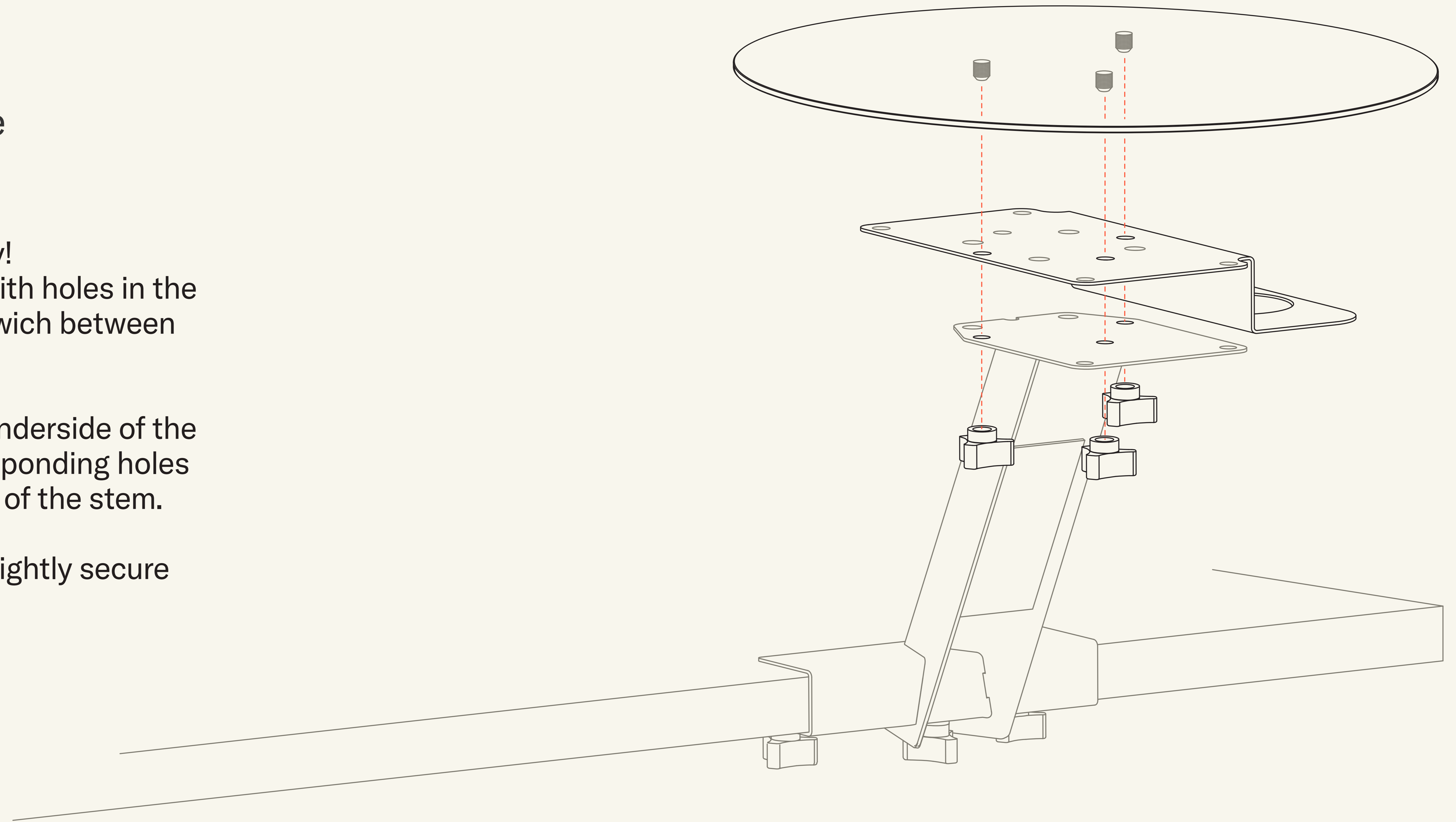
3A

Adding your table top surface and undermount charger.

Adding undermount charging is easy! Start by aligning the holes in shelf with holes in the top of the stem—the shelf will sandwich between the table top surface and the stem.

Locate the 3 threaded rods on the underside of the surface and align them to the corresponding holes in the undermount shelf and the top of the stem.

Use the included thumb nuts (3) to tightly secure the surface to the stem.

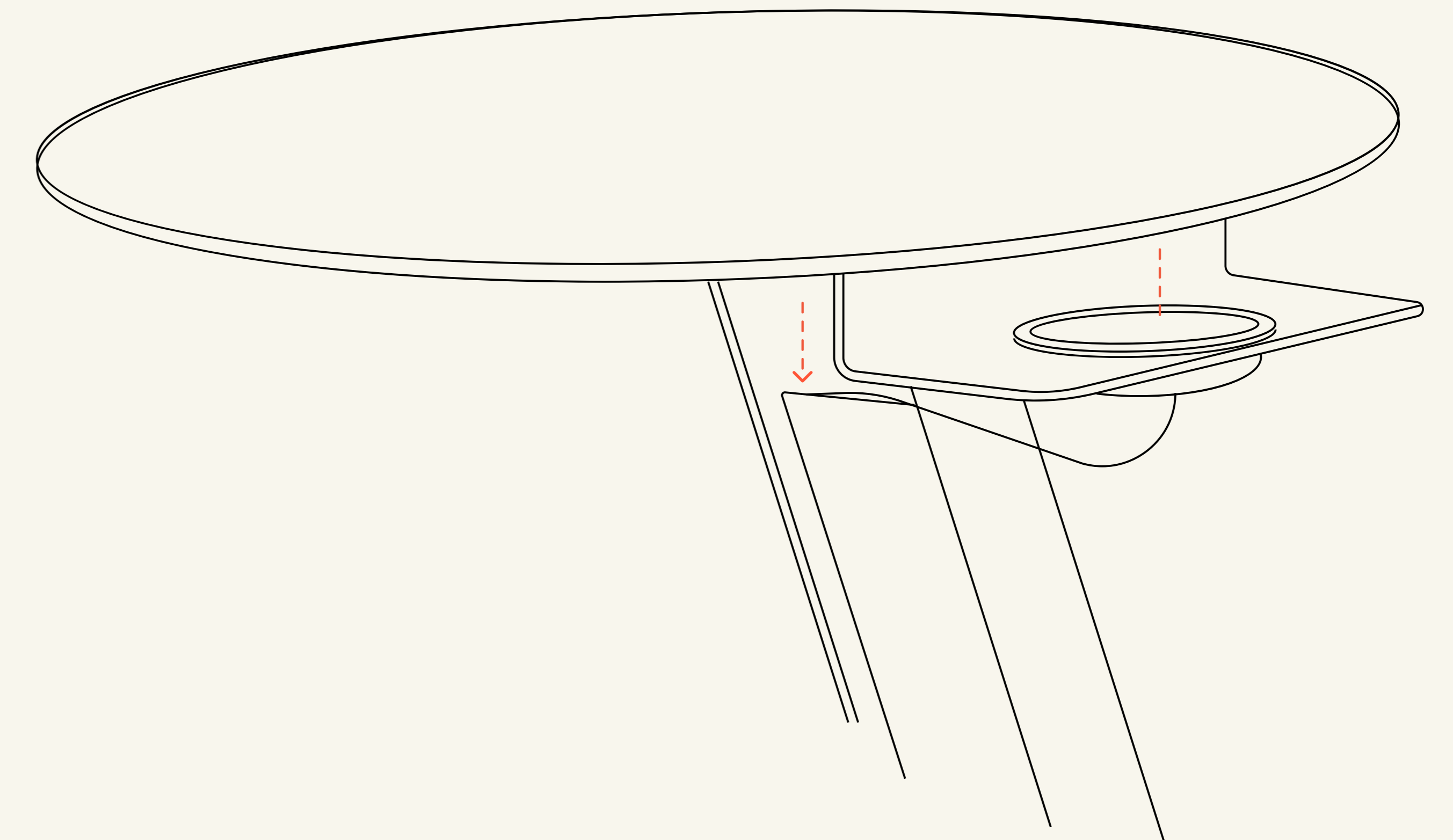


3B

Installing the wireless charger.

Drop the magsafe wireless charger into the hole in the shelf—making sure to feed the cable through first—and feed the cable behind the metal curtain on the stem to keep it out of sight.

Follow the remainder of the instructions provided with the charger, and you're done!



FLOYD