

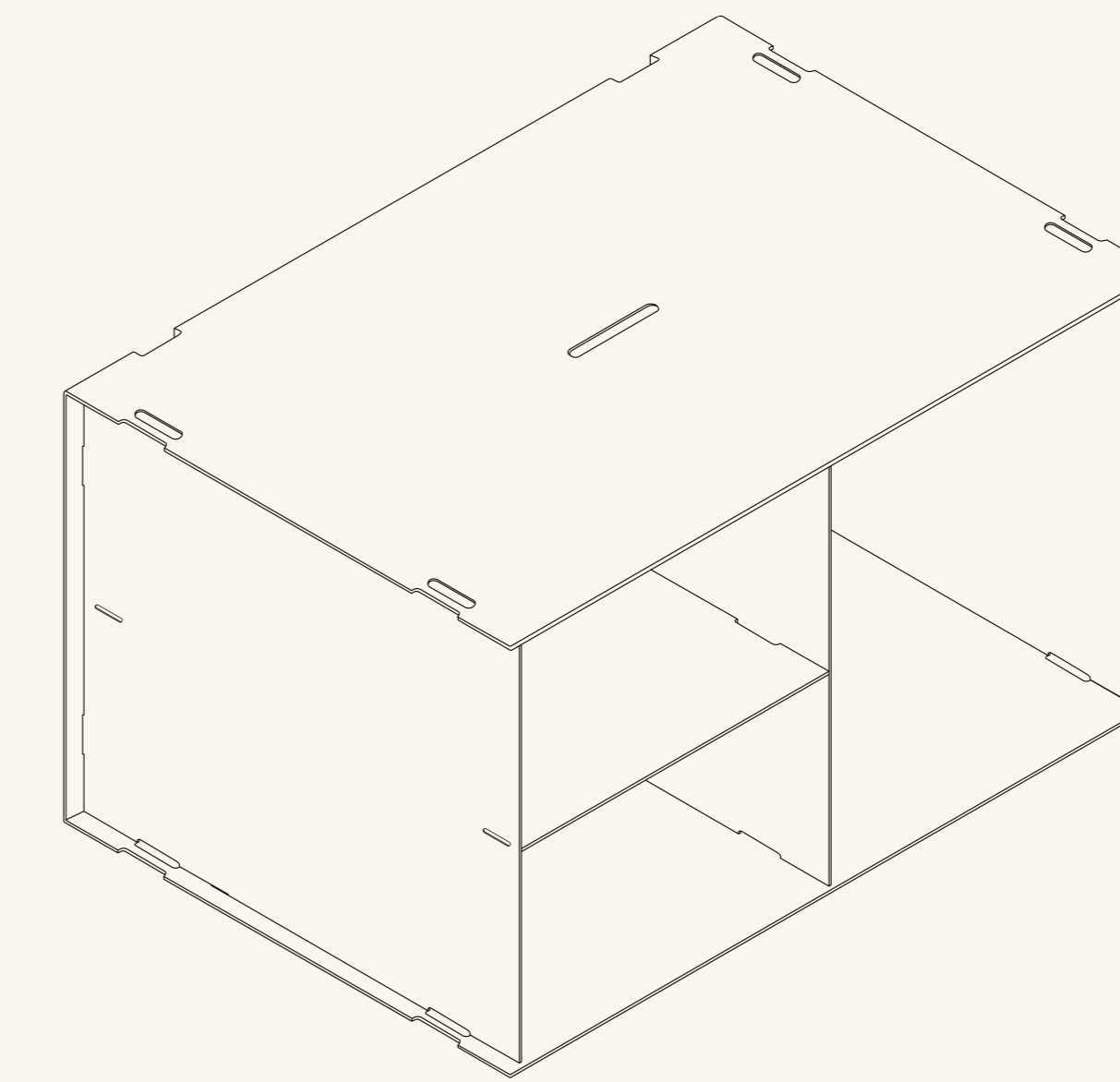
**FLOYD**

HOW TO ASSEMBLE:

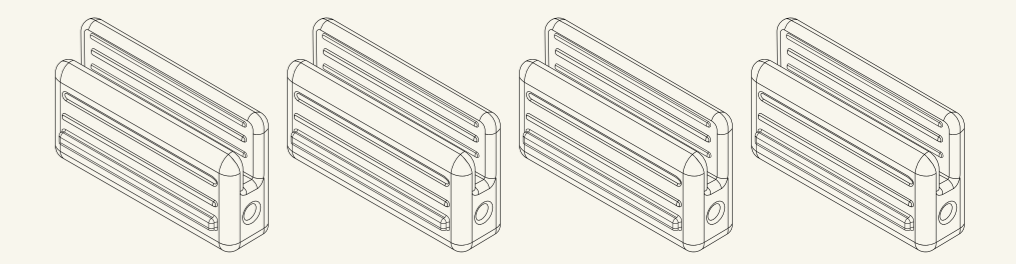
**The Block**

## COMPONENTS

1x BLOCK



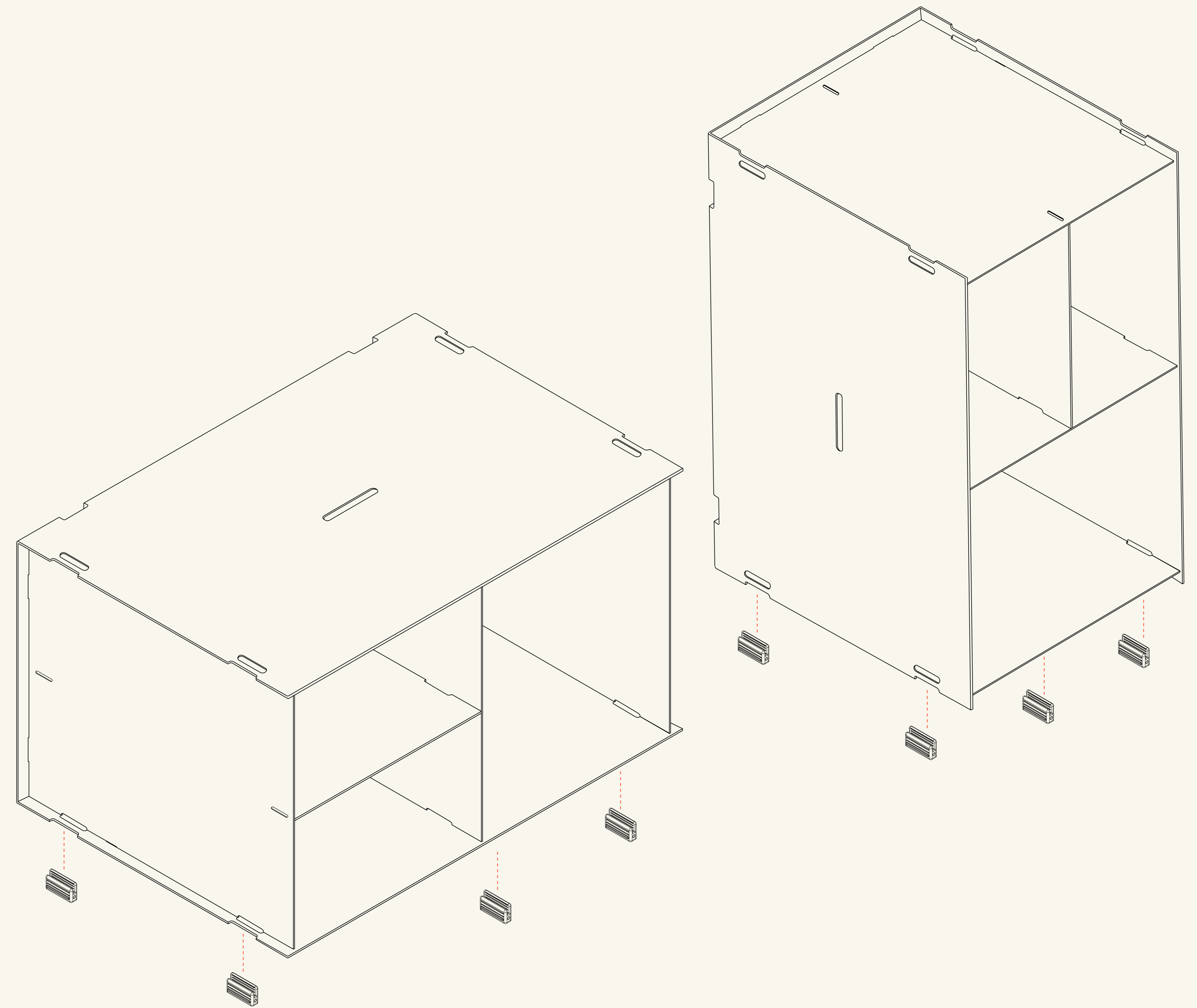
4x BUMPERS



## Adding the bumpers.

Choose your orientation—The Block can be positioned with the divider on the left or right (horizontal) or top or bottom (vertical).

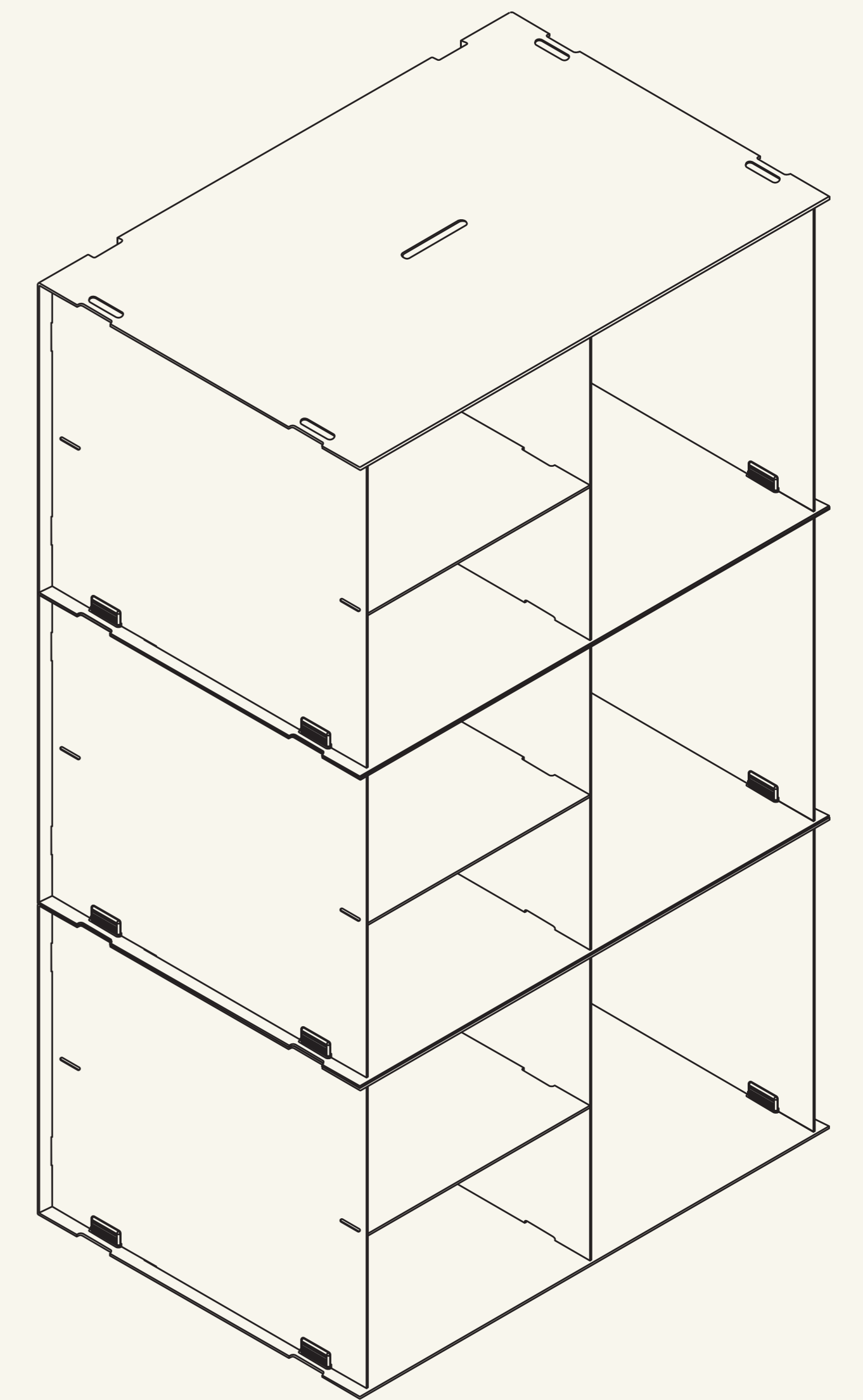
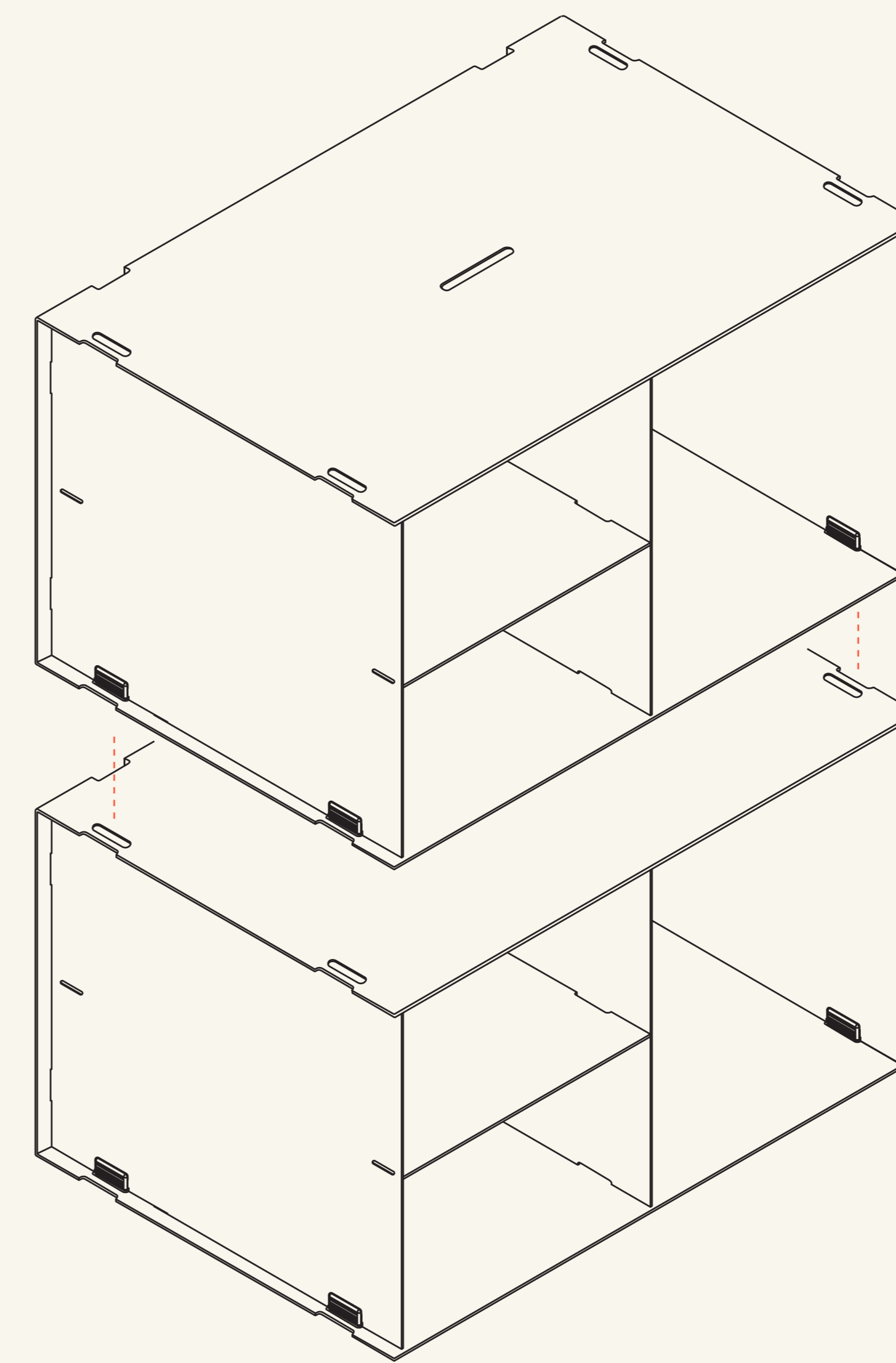
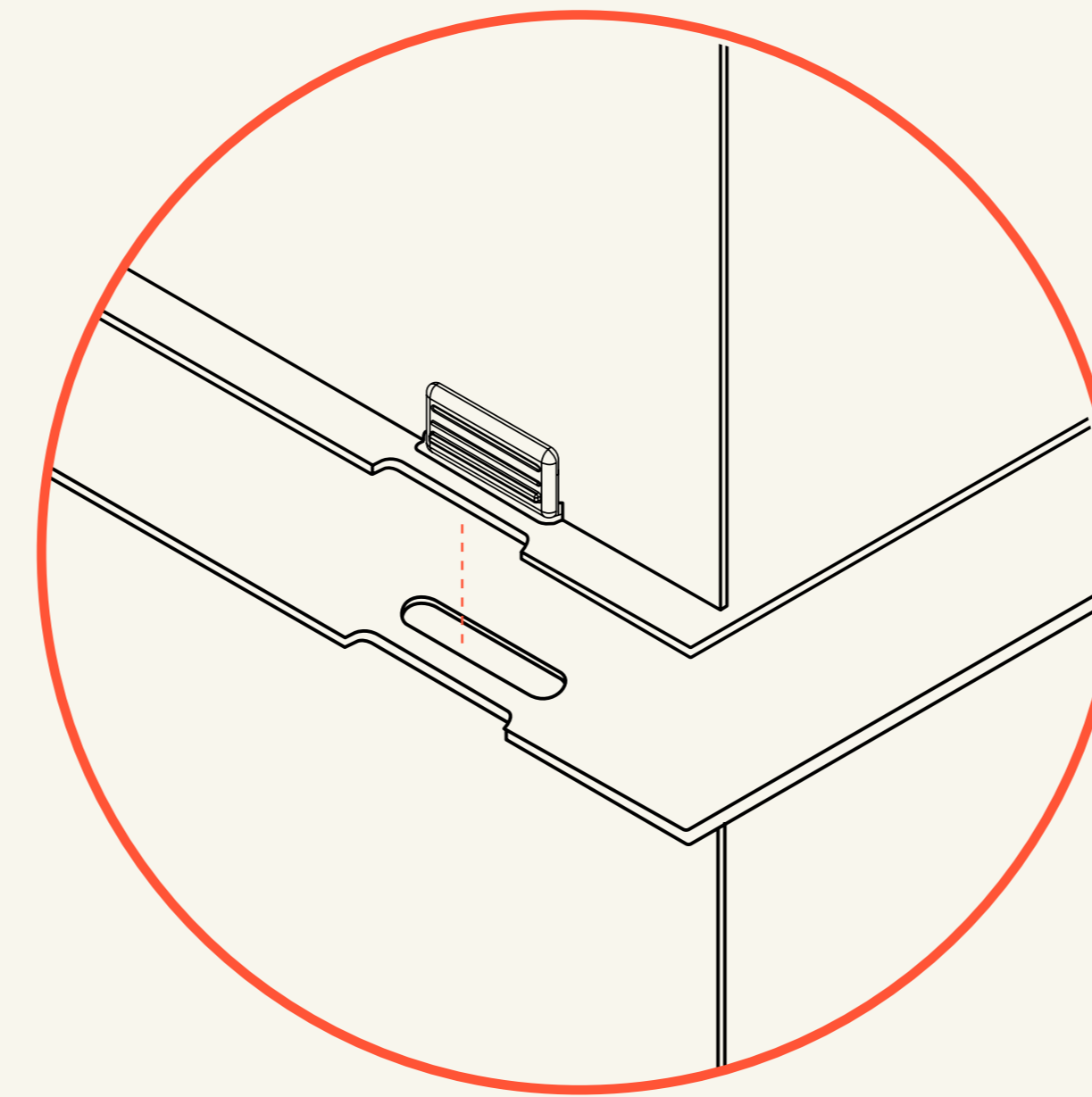
Add the 4 bumpers to the underside of The Block, in either horizontal or vertical position.



Stacking The Block

## Stacking The Block

In the horizontal position, multiple Blocks can be stacked. When stacking, ensure the bumpers align with the slots on the top of the Block below.



**NOTE:** DO NOT STACK MORE THAN 3 BLOCKS HIGH

FLOYD